

PCTM Modules

Pull coil timer modules protect externally switched solenoids by limiting the pull coil ON time. Use of a PCTM enhances solenoid performance by providing functionality of an internally switched solenoid but with greater durability and reliability.



Features:

- 3- and 6-wire configurations for externally switched solenoids
- Can be mounted in any orientation or location
- Potted and sealed solid-state electronics
- Corrosion resistant

Order Information:

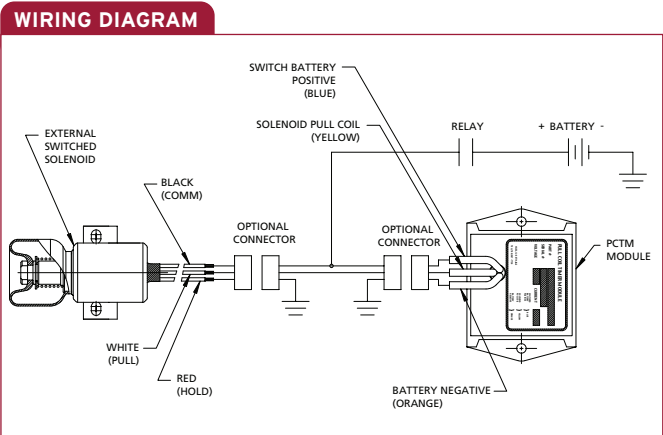
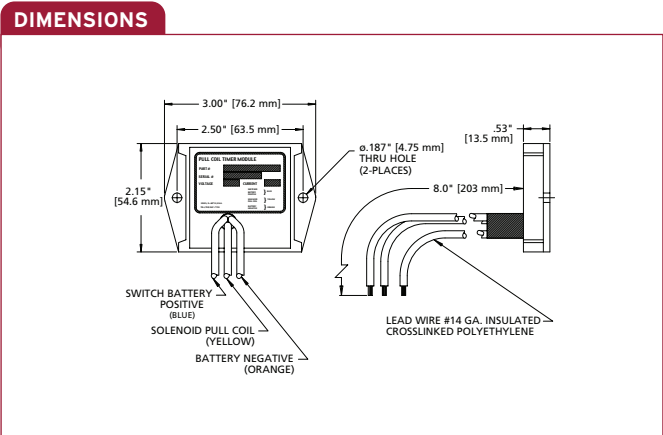
ORDER NO.	Wire Configuration	Rated Voltage	Terminations To System Harness	Terminations To Solenoid
SA-4092-12	3-Wire	12 VDC	Leads	Leads
SA-4092-24	3-Wire	24 VDC	Leads	Leads
SA-4094-12	3-Wire	12 VDC	Packard Weather Pack Housing No. 12020827	Packard Weather Pack Housing No. 12020827
SA-4094-24	3-Wire	24 VDC	Packard Weather Pack Housing No. 12020827	Packard Weather Pack Housing No. 12020827
SA-4220-12	6-Wire	12 VDC	Leads	Leads
SA-4220-24	6-Wire	24 VDC	Leads	Leads
SA-4222-12	6-Wire	12 VDC	Packard Weather Pack Housing No. 12010717	Packard Weather Pack Housing No. 12015793
SA-4222-24	6-Wire	24 VDC	Packard Weather Pack Housing No. 12010717	Packard Weather Pack Housing No. 12015793
SA-4224-12	6-Wire	12 VDC	Leads	Packard Weather Pack Housing No. 12020827
SA-4224-24	6-Wire	24 VDC	Leads	Packard Weather Pack Housing No. 12020827

Minimum quantities required for non-standard configurations. Contact factory for details.

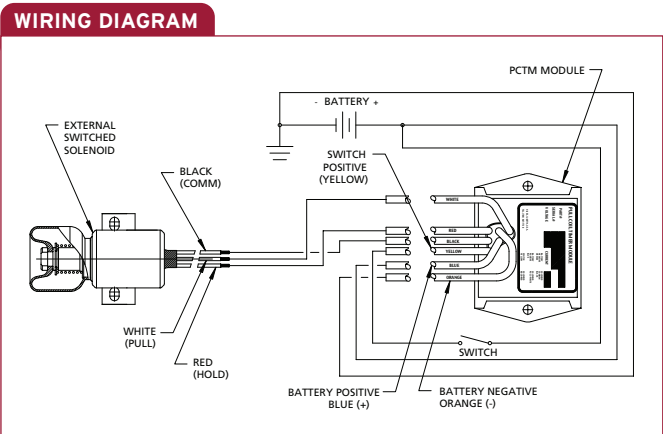
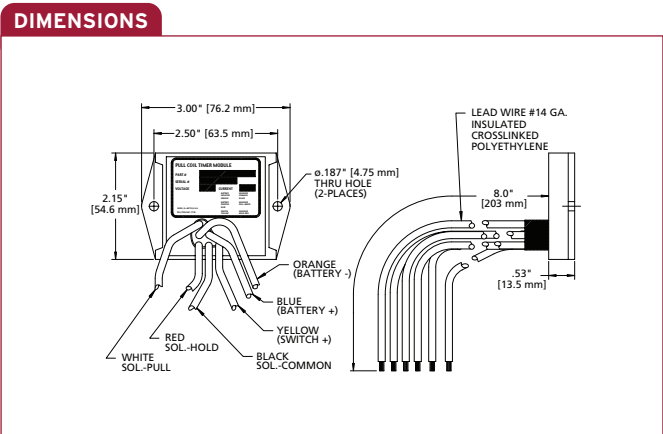
E.E.C. Directive Compliance: All parts supplied by Woodward are classified as components, and therefore are not "CE" marked. Please contact factory direct for details on specific product compliance with 89/336/EEC and 89/392/EEC directives.

PCTM Modules

3-Wire Pull Coil Timer Module



6-Wire SSR Pull Coil Timer Module



Note: PCTM's will reduce the available pull coil voltage by approximately 1/2 to 1 volt.

Specifications:

Temperature	-40° F to +185° F (-40° C to +85° C)
Input Voltage	12 VDC (30 VDC jump start) 24 VDC (57 VDC jump start)
Pull Current	70 A @ 12 VDC 56 A @ 24 VDC
Vibration	15 G's @ 15-2000 Hz
Maximum Cycles	3 cycles/minute continuous
Energized Time	0.5 seconds

Specifications are for reference only.

e-mail: woodward@coltrading.com

Solenoid Accessories