

6-Wire Coil Commander®

Plugs into existing externally switched solenoid installations without wiring modification when used with optional connectors. Works with installations connected to "S" terminal on starter.



Features:

- Prevents solenoid burnout due to engine over crank or misadjustment of linkage by limiting the pull coil ON time
- Potted and sealed solid-state electronics
- Separate mounting bracket not required
- Stand alone plug-in or factory assembled to solenoid
- Patented

Order Information:

Stand Alone Modules

ORDER NO.	Rated Voltage	Max. Current at 68°F (20°C)	Terminations To System Harness	Terminations To Solenoid
SA-4751	9-36 VDC	86 A	Packard Weather Pack Housing No. 12020827	Packard Weather Pack Housing No. 12020829
SA-4759	9-36 VDC	86 A	Leads	Leads
SA-4945*	9-36 VDC	86 A	Yazaki Housing-Male No. 7122-2237-00	Yazaki Housing-Female No. 7123-2137
SA-5028	9-36 VDC	86 A	Packard Metri-Pack 280 Housing No. 1530003	Packard Metri-Pack 280 Housing No. 12040977
SA-5160	9-36 VDC	86 A	Yazaki Housing-Male No. 7122-2237-00	Yazaki Housing-Female No. 7123-2137

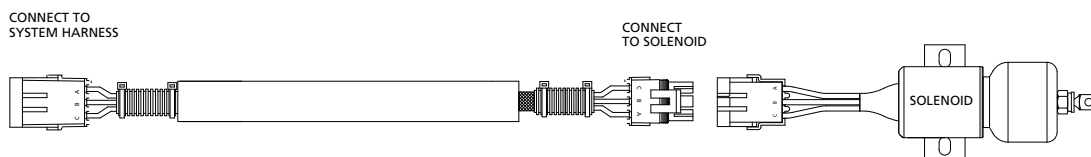
*For use with Kubota 1503ES solenoids

Built-in Modules

Contact Woodward for factory assembled units

Minimum quantities required for non-standard configurations. Contact factory for details.

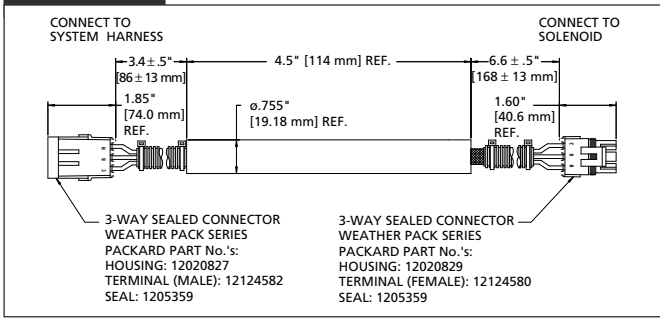
TERMINATION CONNECTIONS



E.E.C. Directive Compliance: All parts supplied by Woodward are classified as components, and therefore are not "CE" marked. Please contact factory direct for details on specific product compliance with 89/336/EEC and 89/392/EEC directives.

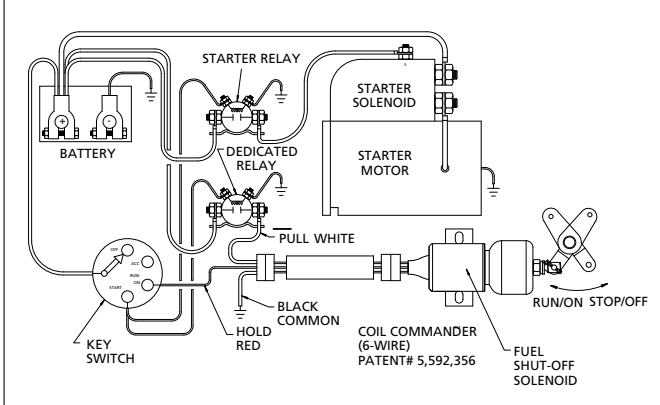
6-Wire Coil Commander®

DIMENSIONS



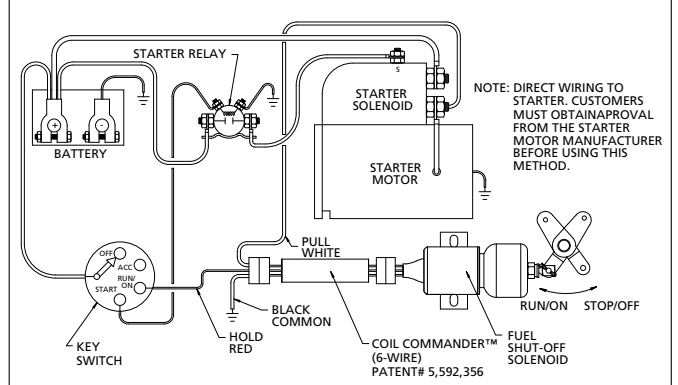
ELECTRIC SHUTOFF

Electric shutoff with dedicated relay for fuel solenoid



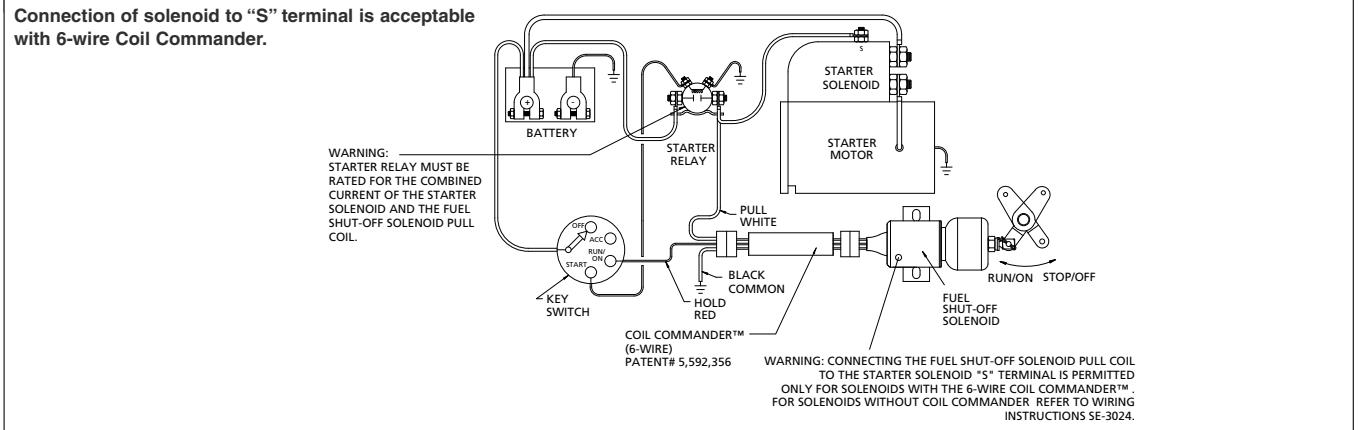
THROTTLE/CHOKE SOLENOID

Throttle/choke solenoid shown with Coil Commander wired to starter. This method requires approval from the starter motor manufacturer.



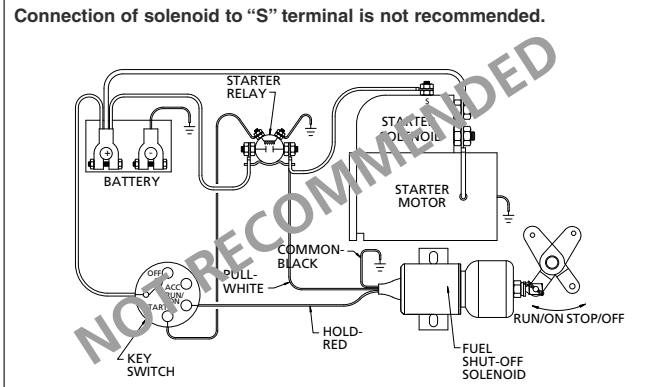
RECOMMENDED CONNECTION

Connection of solenoid to "S" terminal is acceptable with 6-wire Coil Commander.



NON-RECOMMENDED CONNECTION

Connection of solenoid to "S" terminal is not recommended.



Specifications are for reference only.

e-mail: woodward@coltrading.com

Note: Coil Commanders will reduce the available pull coil voltage by approximately ½ to 1 volt.

Specifications:

Temperature	-40 °F to +250 °F (-40 °C to +121 °C)		
Vibration	15 G's @ 15-2000 Hz		
Rated Voltage	12 Volt	24 Volt	
	Minimum Input Voltage	9 VDC	18 VDC
	Rated Jump Start Voltage (1 cycle/min for 10 min)	24 VDC	36 VDC
Reverse Polarity Protection	None		
Weight	Approx. 4 oz. (113 g)		