

## Kubota Throttle (variable)

Super Mini Z482, Z602, D662, D722, D782, and D902

### Description

The Kubota (CTE throttle control actuators are designed to control the throttle. The system enables electronic engine fuel control (EFC) on the Kubota Super Mini series engines. They mount directly to the fuel pump.

Where used:

- Newly build applications;
- To convert to electronic fuel control;
- 12 or 24 Vdc battery systems.

### The Kubota (CTE actuators

The Kubota (CTE actuators are available in two styles, depending on the engine/pump configuration used.

Configuration	Control type	Termination	12Vdc	24Vdc
External	Throttle lever	2-wire (Bat + / Bat -)	KSM-V1-12	KSM-V1-24
Internal*	Fuel rack	2-wire (Bat + / Bat -)	KSM-V2-12	KSM-V2-24

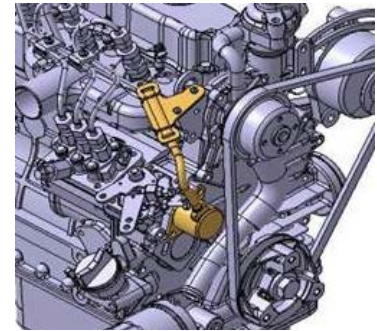
### The Kubota (CTE actuators compatibility

Depending on the engine configuration there are two possible actuator positions. Based on the run/stop solenoid position, one can determine the compatible actuator type.

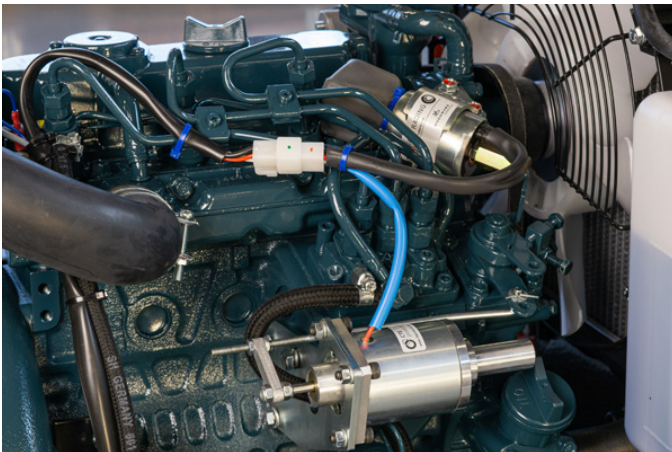
Use the drawings on the right to determine actuator compatibility with your engine. If unsure, please consult our Sales team for advice.



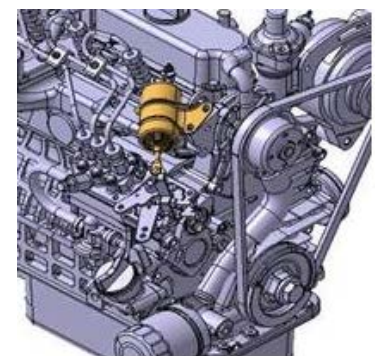
Internal actuator



Internal compatible



External actuator mounted on Kubota D902.  
Run/stop solenoids are sold separately.



External compatible

System packaging is done to meet our customer's requirements. The application for which the engine is used determines what is the best solution. Get in touch with our Sales team to explore your requirements and the possibilities for your application.

\* Mounts in place of the Kubota 1G820-60022 or 1E152-60011

## Kubota Throttle (variable)

Super Mini Z482, Z602, D662, D722, D782, and D902

### Technical Specifications

External Actuator (KSM-V1)		
Operating Voltage	12 Vdc	24 Vdc
Rated current at 20°C	2,6 A max.	1,5 A max.
Stroke	19 mm (+/- 1 mm)	
Termination	Lead wires, 13 cm min. (connector optional)	
Temperature	-40 °C to 120 °C	
Materials	Corrosion-resistant	
Weight	1075 gram (actuator) / 475 gram (bracket + linkage)	
Internal Actuator (KSM-V2)		
Operating voltage	12 Vdc	24 Vdc
Rated current at 20°C	1,9 A max.	1,0 A max.
Stroke	9,5 mm (+/- 0,9 mm)	
Termination	Lead wires, 25 cm min. (connector optional)	
Temperature	-40 °C to 120 °C	
Materials	Corrosion-resistant	
Weight	550 gram	

**IMPORTANT:** Actuators need electronic fuel control (EFC). Special electronic fuel controllers and fuses are available to perform this function. Please contact our Sales team for more information.